

Internal Elevation. Scale 1:10  
18mm thick T&G ledged and braced solid gate

Section. Scale 1:10

External Elevation. Scale 1:10

**TIMBER:**  
Use tightly grained pine or hardwoods from Forest Stewardship Council (FSC) sources. Hardwoods should have a density of 660kg/m<sup>3</sup> or higher and with 15% moisture content, such as: 'Iroko' (Latin name: *Milicia excelsa*), 'Utile' (Latin name: *Entandrophragma utile*), or 'Sapele' (Latin name: *Entandrophragma cylindricum*).

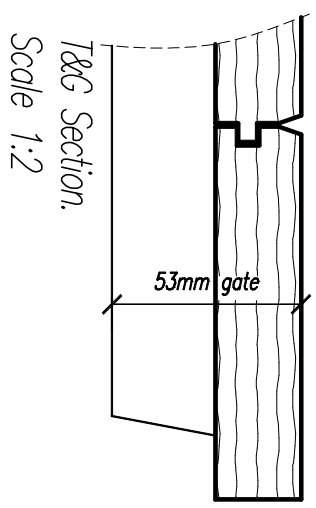
**CONSTRUCTION:**  
Ledged and braced solid gate with T&G facing, free from unsound knots exceeding 25mm in diameter, and loose knots or knot holes exceeding 10mm in diameter.

**IRONMONGERY:**  
Where salvageable existing original ironmongery should be re-used. Decorative 'suffolk latch' as per illustration on 80x225mm back plate in black finish. Pair of bands & gudgeons hinges 450mm long x 50mm, galvanised with black point finish. 310mm long flat throw bolt galvanised with black point finish. Where no original pins from the hinges remain, bolt a 102mm x 51mm wood strip (to be the full height of the gate) to the masonry wall and install gudgeon hinges on the wood strip.

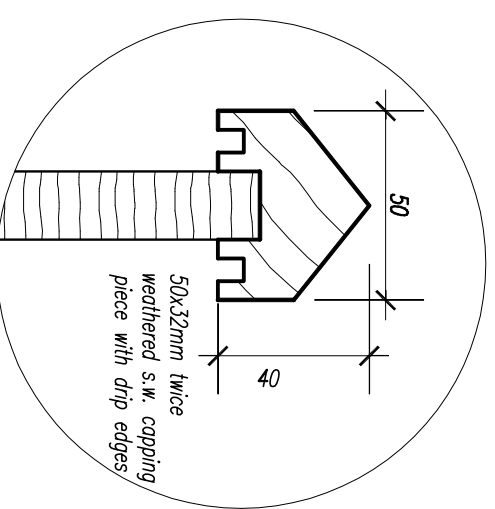
**PAINT:**  
All areas to be pre-treated with linseed oil and knot sealed prior to application of one coat of alkylid primer. Two undercoats applied prior to applying one top coat of either oil based or water based paint in either egg shell or satin finish (not gloss). Finish can be either brush or spray applied and must be consistent throughout.

**COLOURS:**  
All yard gates to be painted green BS 14C 39, unless otherwise specified. The exterior surface of the rear yard gates at the following properties to be painted black.  
• 89-92 Greendale Road  
• 97-100 Greendale Road

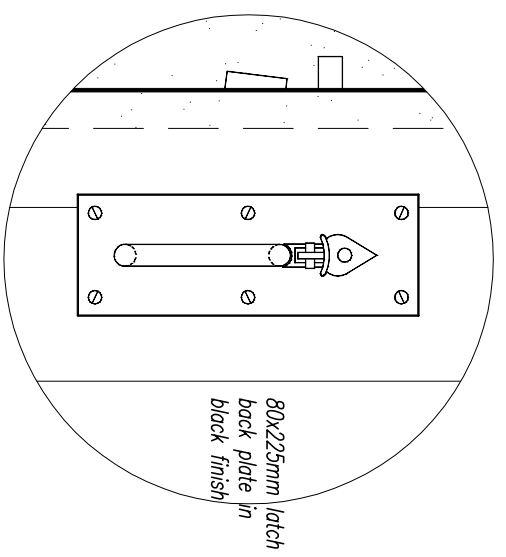
Wirral Council is not liable for inaccuracies, poor workmanship or inadequate installation of features installed or replaced under the Order. Verify all dimensions and existing conditions on site, including profiles, height and width of all aspects of the yard gate to be installed or replaced.



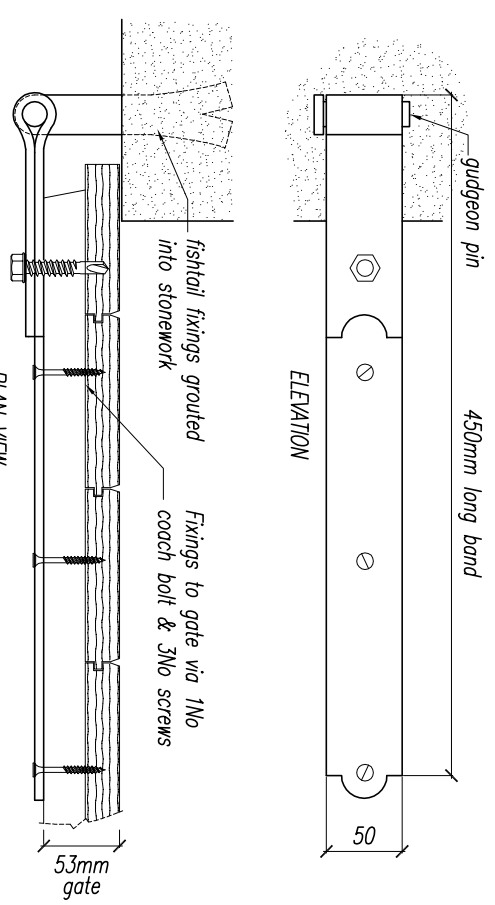
T&G Section.  
Scale 1:2



Twice weathered cap.  
Scale 1:2



Decorative Suffolk Latch.  
Scale 1:5



Bands & gudgeons hinge. Scale 1:5